



NEOTECH

NAMP0110.0180S15

LOW NOISE AMPLIFIER

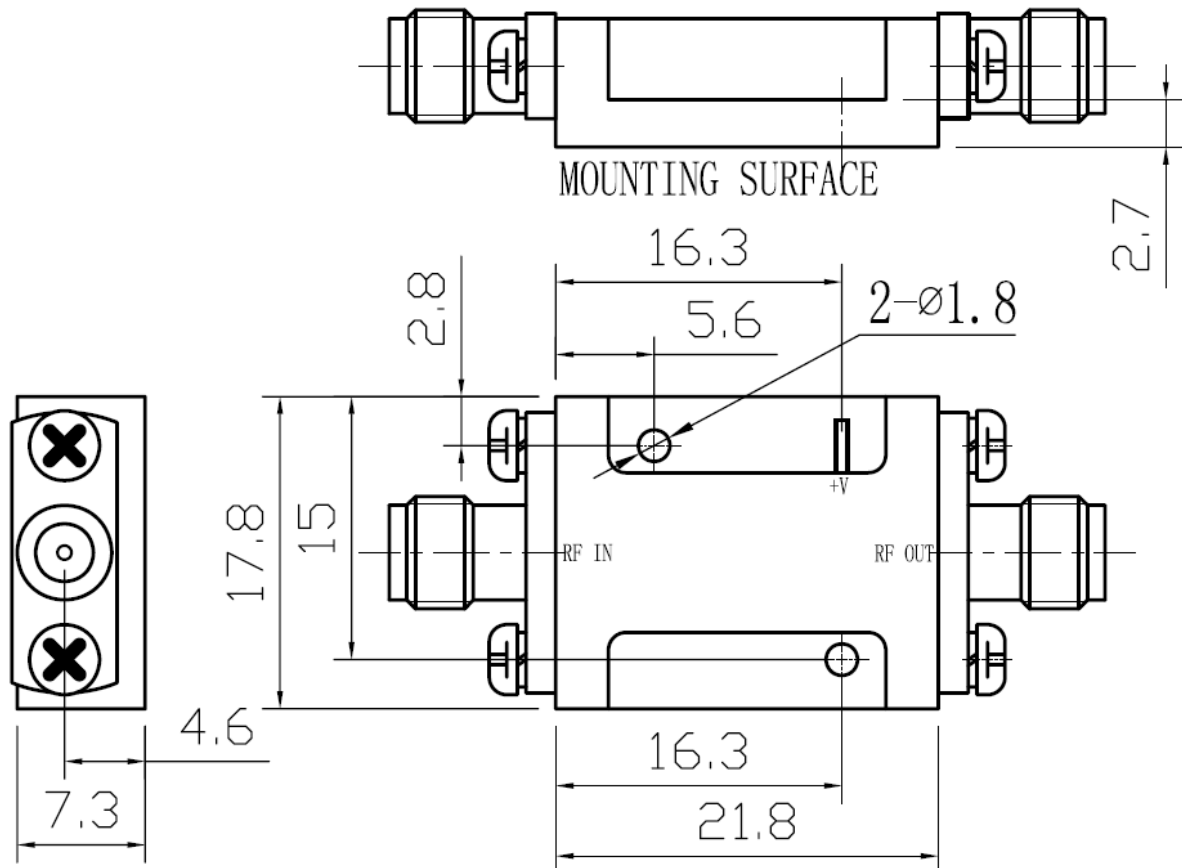
DATASHEET

ELECTRICAL SPECIFICATIONS

Parameter	Minimum	Typical	Maximum	Units
Frequency Range	1.1	-	1.8	GHz
Gain	50	-	-	dB
Gain Flatness	-	-	±0.5	dB
Noise Figure	-	0.6	0.7	dB
Noise Temperature	-	43	50.75	K
VSWR In/Out	-	-	1.7	-
P1dB Out	15	-	-	dBm
Output IP3	-	25	-	dBm
Voltage	9	12	15	V
Current	-	175	-	mA
Connectors	SMA-Female			
Operating Temperature	-54	-	+85	°C

OUTLINE DRAWING

All dimensions in mm



www.myneotech.com

Rev.	Description	Date	Approved by

For more information, please contact us at info@myneotech.com