



NEOTECH

G20DC0200.1800SF

DIRECTIONAL COUPLER

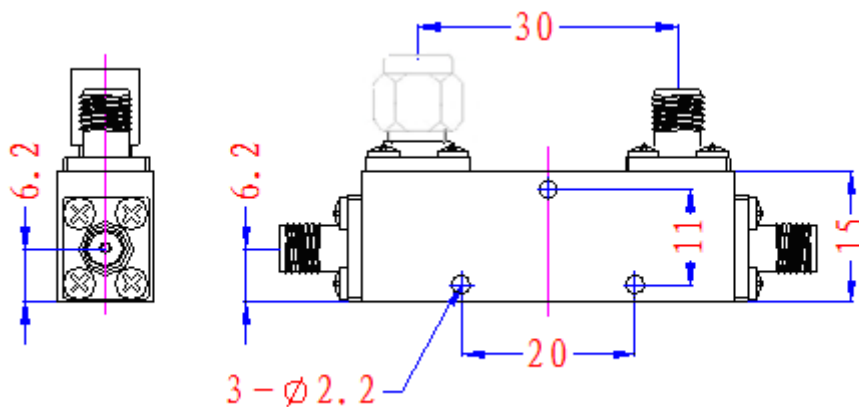
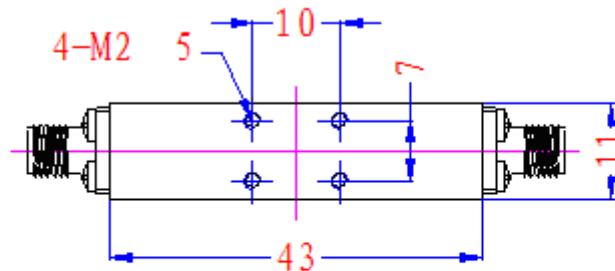
DATASHEET

ELECTRICAL SPECIFICATIONS

Parameter	Minimum	Typical	Maximum	Units
Frequency Range	2	-	18	GHz
Nominal Coupling	-	20	-	dB
Coupling Accuracy	-	-	+/-1.0	dB
Insertion Loss	-	-	0.7	dB
Directivity	12	-	-	dB
VSWR	-	-	1.5	-
Forward Power	-	-	50	W CW
Operating Temperature Range	-40	-	+70	°C
Finish	Grey Paint			
Connectors	SMA-Female			

OUTLINE DRAWING

- Dimensions in mm



www.myneotech.com

Rev.	Description	Date	Approved by

For more information, please contact us at info@myneotech.com