



NEOTECH

G20DC08001200SF1

DIRECTIONAL COUPLER

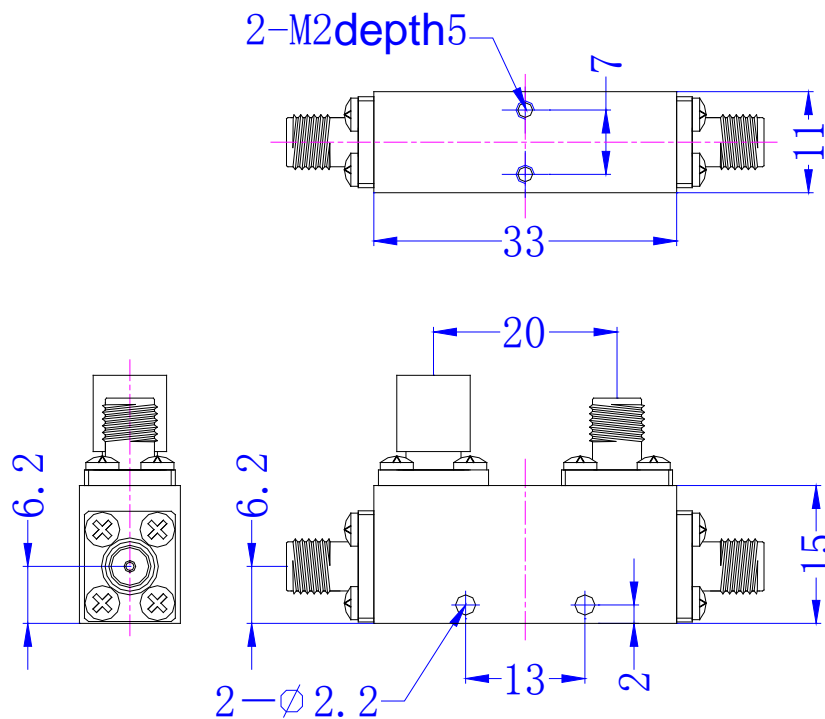
DATASHEET

ELECTRICAL SPECIFICATIONS

Parameter	Minimum	Typical	Maximum	Units
Frequency Range	8	-	12	GHz
Nominal Coupling	-	20	-	dB
Coupling Accuracy	-	-	±1	dB
Coupling Sensitivity to Frequency	-	-	±1	dB
Insertion Loss	-	-	1.0	dB
Directivity	12	-	-	dB
VSWR	-	-	1.50	-
Operating Temperature Range	-55	-	+70	°C
Impedance	-	50	-	Ω
Finish	Gray Epoxy Paint			
Connectors	SMA-Female			

OUTLINE DRAWING

- Dimensions in mm



www.myneotech.com

Rev.	Description	Date	Approved by

For more information, please contact us at info@myneotech.com