



NEOTECH

GBPF0120.0140NF400

BANDPASS FILTER

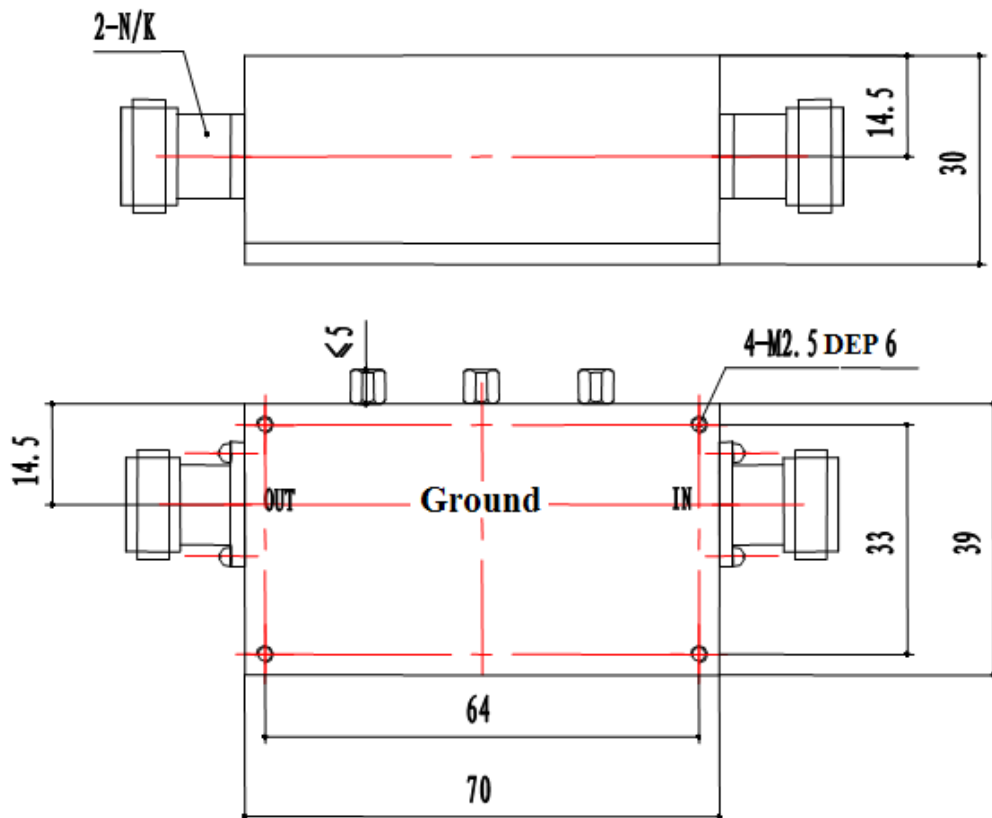
DATASHEET

ELECTRICAL SPECIFICATIONS

Parameter	Minimum	Typical	Maximum	Units
Passband Frequency Range	1200	-	1400	MHz
Insertion Loss	-	-	0.20	dB
Rejection (at 2400MHz)	60	-	-	dBc
VSWR (between 1200-1400MHz)	-	-	1.3	-
Operating Temperature Range	-40	-	+70	°C
Average Power (design guarantee)	-	400	-	W CW
Connectors Input/Output	N-F (fixed)			

OUTLINE DRAWING

- Dimensions in mm



www.myneotech.com

Rev.	Description	Date	Approved by

For more information, please contact us at info@myneotech.com