



NEOTECH

T10DCN

DIRECTIONAL COUPLER

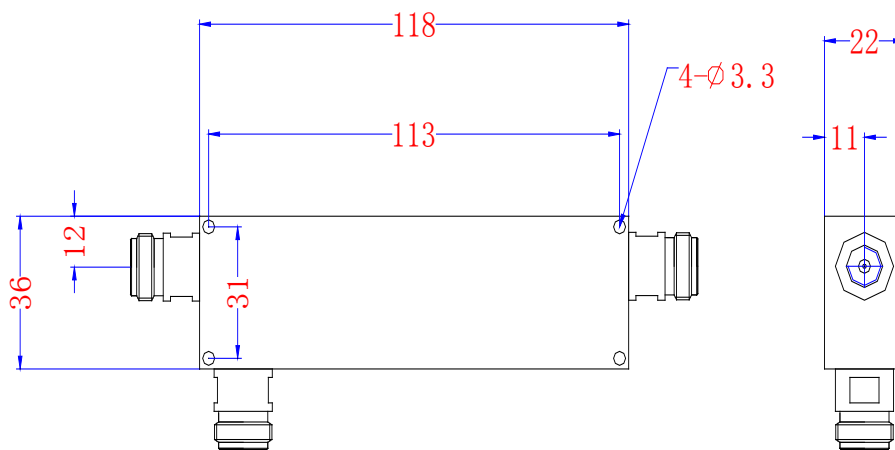
DATASHEET

ELECTRICAL SPECIFICATIONS

Parameter	Minimum	Typical	Maximum	Units
Frequency Range	800	-	2500	MHz
Isolation	30	-	-	dB
Coupling	-	10 ± 0.5	-	dB
Insertion Loss	-	-	0.35	dB
VSWR IN/OUT	-	-	1.30	-
Directivity	20	-	-	dB
Power	-	-	80	W CW
Temperature Range	-55	-	+85	°C
Impedance	-	50	-	Ω
Environmental Conditions	IP65			
Connectors	N(F)			

OUTLINE DRAWING

- Dimensions in mm



www.myneotech.com

Rev.	Description	Date	Approved by

For more information, please contact us at info@myneotech.com