



NEOTECH

G2PD0050.4000KF20

2-WAYS POWER DIVIDER

DATASHEET

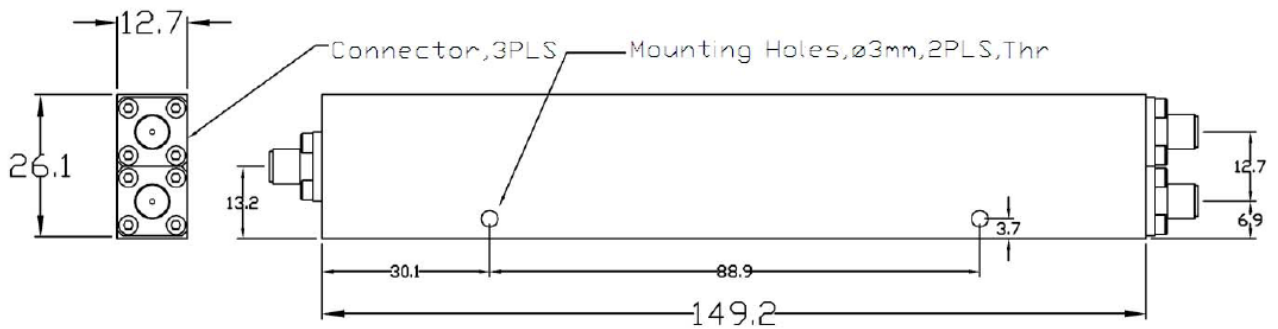
ELECTRICAL SPECIFICATIONS

Parameter	Minimum	Typical	Maximum	Units
Frequency Range	0.5	-	40	GHz
Isolation at 0.5-1GHz	15	-	-	dB
Isolation at 1-40GHz	18	-	-	dB
Insertion Loss	-	-	3.2	dB
VSWR Input/Output	-	-	1.6	-
Phase Unbalance	-	-	±6	°
Amplitude Unbalance	-	-	±0.5	dB
Forward Power	-	-	20	dBm
Impedance	-	50	-	Ω
Connectors	K-Female			
Operating Temperature	-10	-	+70	°C

Note: Parameter of I.L. does not include theoretical insertion loss 3dB
Phase unbalance and amplitude balance between any 2 ports.

OUTLINE DRAWING

- All dimensions are mm



www.myneotech.com

Rev.	Description	Date	Approved by

For more information, please contact us at info@myneotech.com