



NEOTECH

GI0501.0500TABS60

ISOLATOR

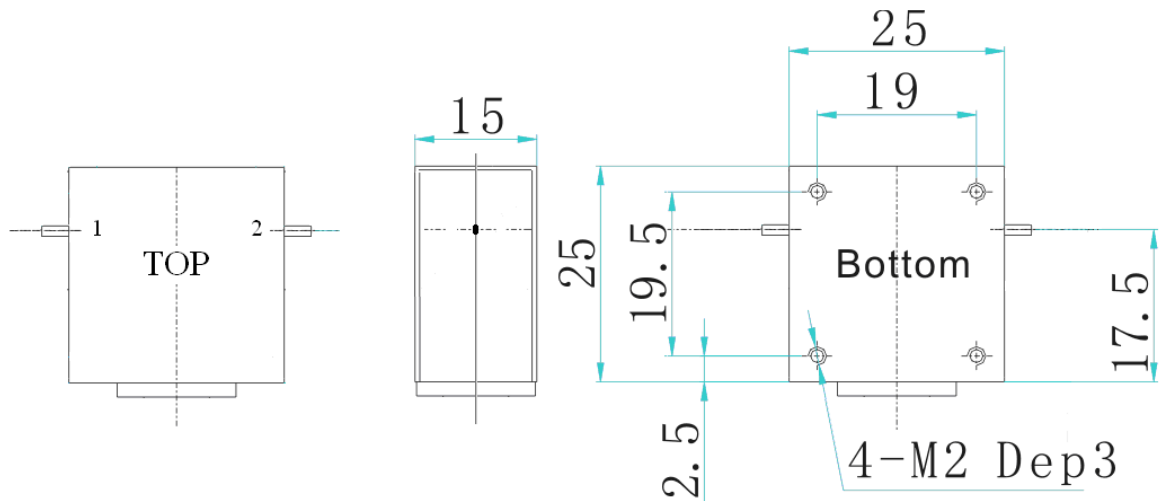
DATASHEET

ELECTRICAL SPECIFICATIONS

Parameter	Minimum	Typical	Maximum	Units
Frequency Range	5	-	5.01	GHz
Isolation	20	-	-	dB
Insertion Loss	-	-	0.5	dB
VSWR	-	-	1.35	-
Average Power (Forward/Reverse)	-	-	60/10	W CW
Operating Temperature Range	-20	-	+65	°C
Impedance	-	50	-	Ω
Interface Type	Drop-In			
Finish	Nickle plated			

OUTLINE DRAWING

- All dimensions in mm



www.myneotech.com

Rev.	Description	Date	Approved by

For more information, please contact us at info@myneotech.com