



**NEOTECH**

# GI 1200.1800SF10

ISOLATOR

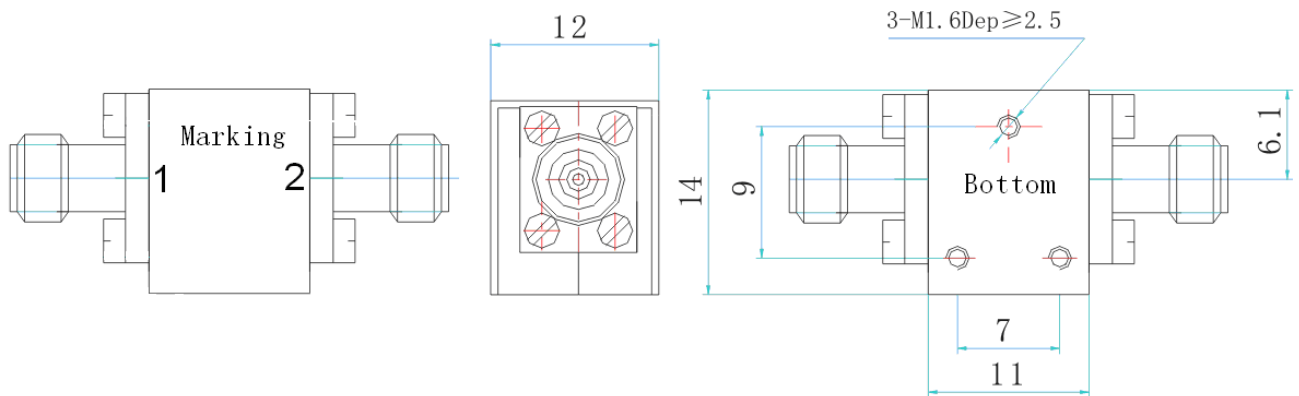
DATASHEET

## ELECTRICAL SPECIFICATIONS

Parameter	Minimum	Typical	Maximum	Units
Frequency Range	12	-	18	GHz
Isolation	19	-	-	dB
Insertion Loss	-	-	0.6	dB
VSWR	-	-	1.35	-
Average Power (Forward/Reverse)	-	-	10/1	W CW
Operating Temperature Range	-20	-	+65	°C
Impedance	-	50	-	Ω
Connectors	SMA-F			
Finish	Nickle Plated			

## OUTLINE DRAWING

- All dimensions in mm
- Direction: 1→2



www.myneotech.com

Rev.	Description	Date	Approved by

For more information, please contact us at [info@myneotech.com](mailto:info@myneotech.com)