



NEOTECH

NC0120.0140SF200

CIRCULATOR

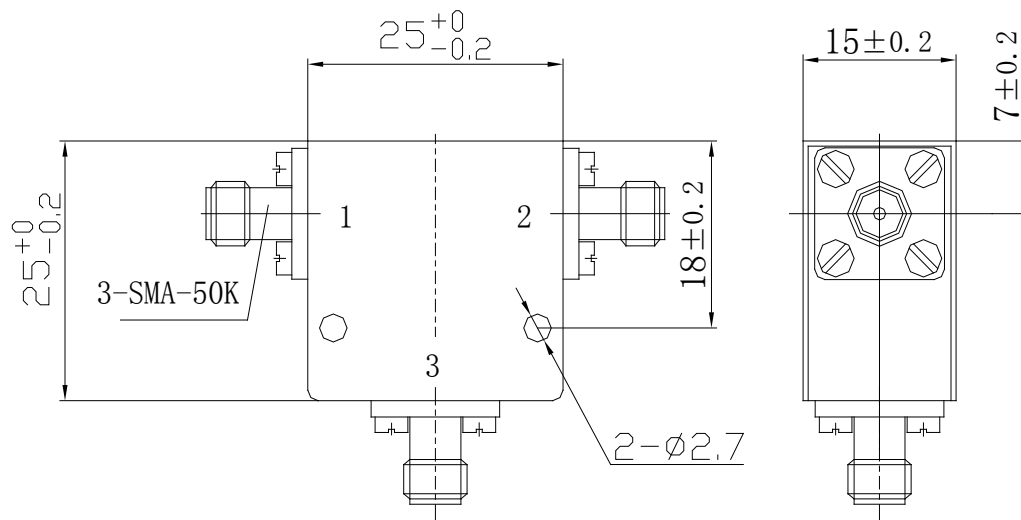
DATASHEET

ELECTRICAL SPECIFICATIONS

Parameter	Minimum	Typical	Maximum	Units
Frequency Range	1200	-	1400	MHz
Isolation	22	-	-	dB
Insertion Loss	-	-	0.4	dB
Return Loss	22	-	-	dB
Average Power	-	-	200	W CW
Peak Power	-	-	1000	W
Operating Temperature Range	-25	-	+85	°C
Impedance	-	50	-	Ω
Input/Output Connectors	SMA-F			
Finish	Nickle Plated			

OUTLINE DRAWING

- All dimensions in mm
- Direction: 1 → 2 → 3



www.myneotech.com

Rev.	Description	Date	Approved by

For more information, please contact us at info@myneotech.com