



NEOTECH

G180H6002000SF30

180° HYBRID

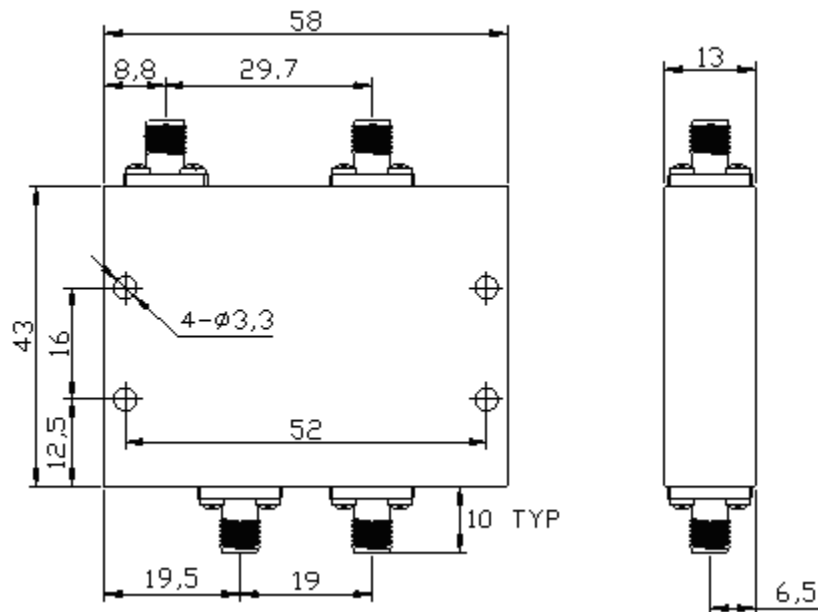
DATASHEET

ELECTRICAL SPECIFICATIONS

Parameter	Minimum	Typical	Maximum	Units
Frequency Range	6	-	20	GHz
Insertion Loss	-	-	3.2	dB
Coupling	-	3±0.75	-	dB
Isolation	15	-	-	dB
Phase balance	-	-	±10	°
Amplitude Balance	-	-	±1.5	dB
Average Power	-	-	30	W
VSWR	-	-	2.5	-
Operating Temperature Range	-55	-	+75	°C
Connectors	SMA-F			

OUTLINE DRAWING

- Dimensions in mm



www.myneotech.com

Rev.	Description	Date	Approved by

For more information, please contact us at info@myneotech.com