



NEOTECH

GI0086.0091SFM1

ISOLATOR

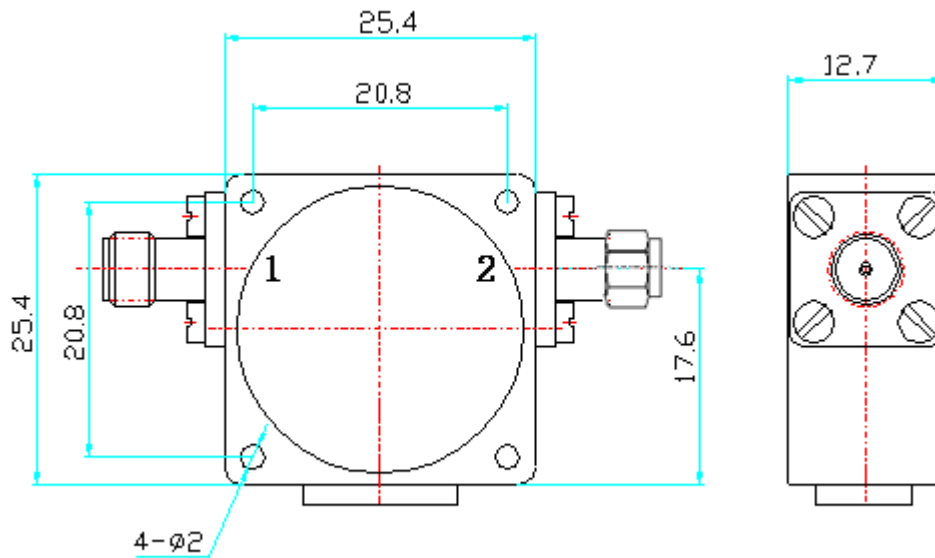
DATASHEET

ELECTRICAL SPECIFICATIONS

Parameter	Minimum	Typical	Maximum	Units
Frequency Range	860	-	960	MHz
Isolation	20	-	-	dB
Insertion Loss	-	-	0.4	dB
VSWR	-	-	1.25	-
Average Power (FRD/REV)	-	-	1/1	W
Operating Temperature Range	-20	-	+70	°C
Impedance	-	50	-	Ω
Finish	Nickle Plated			
Connectors	SMA-F to SMA-M			

OUTLINE DRAWING

- Dimensions in mm
- Direction 1-2



www.myneotech.com

Rev.	Description	Date	Approved by

For more information, please contact us at info@myneotech.com