



NEOTECH

T3PDN

3-WAYS POWER DIVIDER

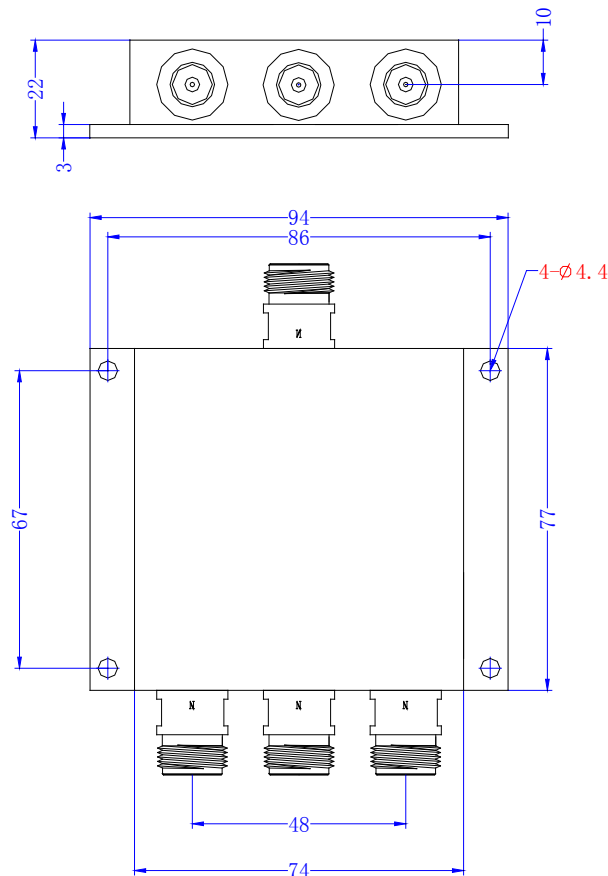
DATASHEET

ELECTRICAL SPECIFICATIONS

Parameter	Minimum	Typical	Maximum	Units
Frequency Range	800	-	2500	MHz
Isolation	20	-	-	dB
Insertion Loss	-	-	0.6	dB
VSWR IN	-	-	1.30	-
VSWR OUT	-	-	1.20	-
Amplitude Unbalance	-	-	0.2	dB
Phase Unbalance	-	-	2	°
Input Power	-	-	100	W CW
Operating Temperature Range	-55°C	-	+85	°C
Impedance	-	50	-	Ω
Environmental Conditions	IP65			
Connectors	N(F)			

OUTLINE DRAWING

- Dimensions in mm



www.myneotech.com

Rev.	Description	Date	Approved by

For more information, please contact us at info@myneotech.com