



**NEOTECH**

# GI0780.0870TABS10

ISOLATOR

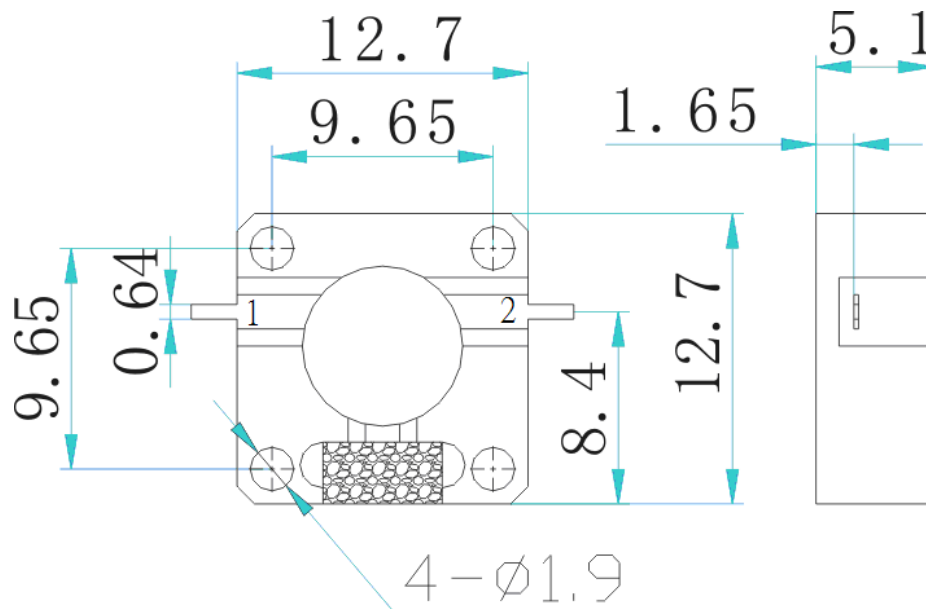
DATASHEET

## ELECTRICAL SPECIFICATIONS

Parameter	Minimum	Typical	Maximum	Units
Frequency Range	7800	-	8700	MHz
Isolation	20	-	-	dB
Insertion Loss	-	-	0.5	dB
VSWR	-	-	1.25	-
Average Power (Forward/Reverse)	-	-	10/1	W CW
Operating Temperature Range	-20	-	+70	°C
Impedance	-	50	-	Ω
Interface Type	Drop-In			
Finish	Nickle Plated			

## OUTLINE DRAWING

- All dimensions in mm
- Direction: 1→2



www.myneotech.com

Rev.	Description	Date	Approved by