

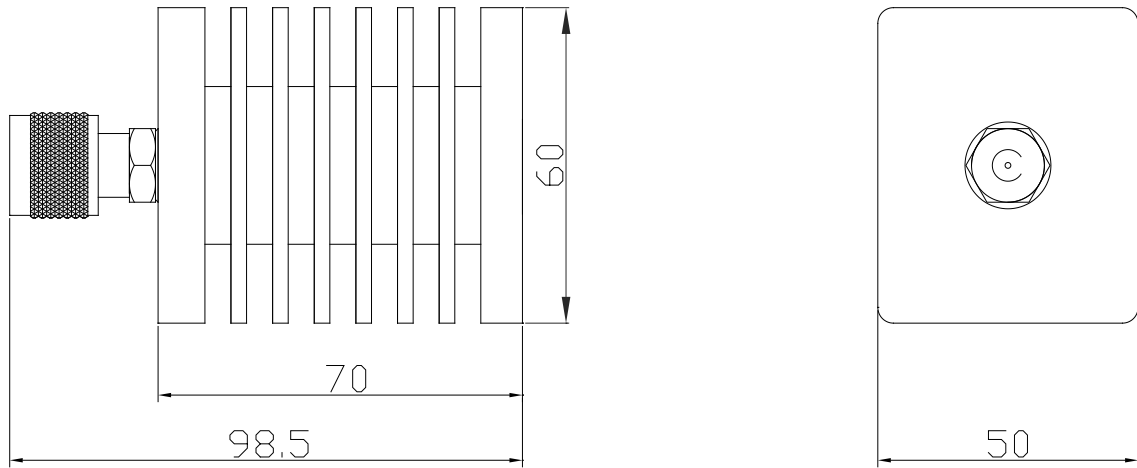


ELECTRICAL SPECIFICATIONS

Parameter	Minimum	Typical	Maximum	Units
Frequency Range	DC	-	3	GHz
VSWR	-	-	1.2	-
IMD	-	-	-120	dBc
Average Power	-	-	60	W CW
Working Temperature Range	-30	-	+55	°C
Impedance	-	50	-	Ω
IP Grade	IP65			
Connectors	N-Male			
RoHS Status	RoHS Compliant			

OUTLINE DRAWING

- All dimensions in mm



Rev.	Description	Date	Approved by