



NEOTECH

NA0000.0600SM202

ATTENUATOR

DATASHEET

ELECTRICAL SPECIFICATIONS

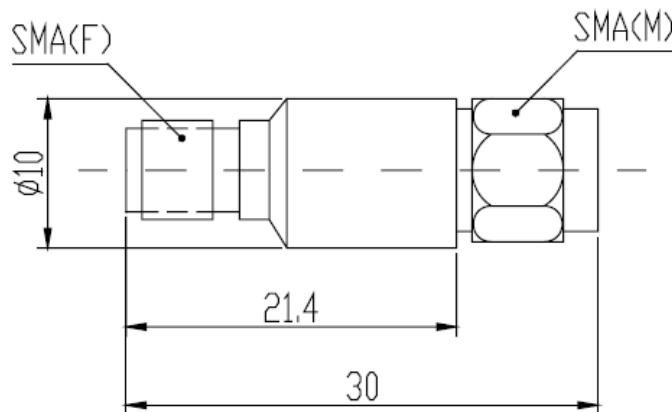
Parameter	Minimum	Typical	Maximum	Units
Frequency Range	DC	-	6	GHz
Attenuation Value	-	20	-	dB
Attenuation Accuracy	-	-	±0.8	dB
VSWR	-	-	1.20	-
Average Power (at 25°C, derated linearly to 0.5W at 125°C)	-	-	2	W
Peak Power (5µs pulse width with 0.4% duty cycle)	-	-	0.5	KW
Impedance	-	50	-	Ω
Temperature Range	-55	-	+125	°C
Connector Type	SMA Male - SMA Female			
RoHS Status	RoHS Compliant			

MECHANICAL SPECIFICATIONS

Parameter	Description
Connectors	Brass Gold Plated
Male Pin	Brass Gold Plated
Female Pin	Beryllium Copper Gold Plated
Housing	Brass Gold Plated

OUTLINE DRAWING

Dimensions in mm
Dimension Tolerance: ±2%



Rev.	Description	Date	Approved by

For more information, please contact us at info@myneotech.com